

Product Preview

MC13770PP/D
Rev. 1, 11/2002

W-CDMA LNA and
Downconverter



MC13770



(Scale 2:1)

Package Information

Plastic Package
Case 1345
(QFN-12)

Ordering Information

Device	Device Marking	Package
PC13770FC	PC70	QFN-12

The MC13770 is a LNA Downconverter designed specifically for WCDMA handsets. The LNA is integrated with a bypass switch to preserve input intercept performance. The device is fabricated using Motorola's Advanced RF BiCMOS process using the SiGe:C option and is packaged in a 12 pin Quad Flat Non-leaded package.

- RF Input Frequency: 2110 to 2170 MHz
- LNA Gain = 15 dB (Typ)
- LNA Input 3rd Order Intercept Point (IIP3) = 0 dBm (Typ)
- LNA Noise Figure (NF) = 1.5 dB (Typ)
- Bypass Mode Included for Improved Intercept Point Performance
- Double Balanced Mixer
- Mixer Conversion Gain = 10 dB (Typ)
- Mixer Noise Figure (NF) = 8.0 dB (Typ)
- Mixer Input 3rd Order Intercept Point (IIP3) = -3.0 dBm (Typ)
- Total Supply Current = 8.0 mA
LNA = 3.0 mA
Mixer = 5.0 mA

This document contains information on a product under development. Motorola reserves the right to change or discontinue this product without notice. © Motorola, Inc., 2002. All rights reserved.

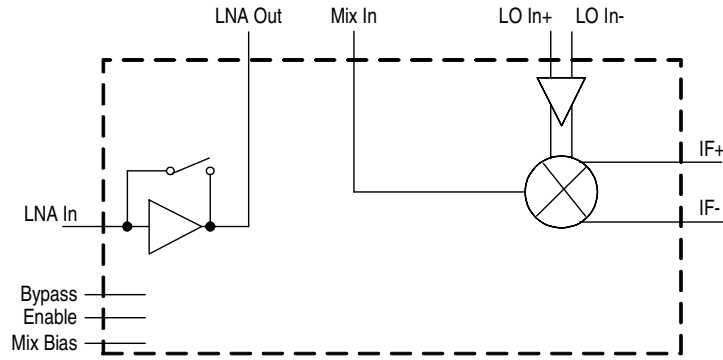


Figure 1. Simplified Block Diagram

Table 1. Maximum Ratings

Rating	Symbol	Value	Unit
Supply Voltage	V_{CC}	3.6	V
Storage Temperature Range	T_{stg}	-65 to 150	°C
Operating Temperature Range	T_A	-40 to 85	°C

NOTE: Maximum Ratings are those values beyond which damage to the device may occur. Functional operation should be restricted to the limits in the Electrical Characteristics tables or Pin Descriptions section.

Table 2. Recommended Operating Conditions

Characteristic	Symbol	Min	Typ	Max	Unit
Supply Voltage		2.7	2.75	3.0	Vdc
Logic Voltage (Enable and Bypass Pins)					V
Input High Voltage		0.85 V_{CC}	-	V_{CC}	
Input Low Voltage		0	-	0.15 V_{CC}	

Table 3. Target Specifications

Characteristic	Symbol	Min	Typ	Max	Unit
Turn-on Time		-	100	-	ns

LNA High Gain Mode ($V_{CC} = 2.75$ V, Bypass = 2.75 V, Enable = 2.75 V)

LNA Gain		-	15	-	dB
LNA Noise Figure		-	1.5	-	dB
LNA Input IP3		-	0	-	dBm

NOTE: Tone spacing for IIP3 measurement is 5.0 MHz.

Table 3. Target Specifications (Continued)

Characteristic	Symbol	Min	Typ	Max	Unit
LNA Supply Current	I_{DD}	-	3.0	-	mA

LNA Low Gain Mode ($V_{CC} = 2.75$ V, Bypass = 0 V, Enable = 2.75 V)

LNA Gain		-	-5.0	-	dB
LNA Noise Figure		-	5.0	-	dB
LNA Input IP3		-	20	-	dBm
LNA Supply Current	I_{DD}	-	10	-	μ A

Mixer Mode ($V_{CC} = 2.75$ Vdc, Enable = 2.75 V)

Conversion Gain		-	10	-	dB
SSB Noise Figure		-	8.0	-	dB
Input IP3		-	-3.0	-	dBm
Supply Current		-	5.0	-	mA
LO Drive Level		-	-10	-	dBm

NOTE: Tone spacing for IIP3 measurement is 5.0 MHz.

Table 4. Truth Table
(1 = 2.75 V, 0 = 0 V)

Enable	Bypass	Mode
0	0	Sleep
0	1	Undefined - do not use
1	0	Low Gain
1	1	High Gain

Table 5. Pin Function Description

Pin	Symbol	Description
1	LNA Out	LNA Output
2	Bypass	LNA Bypass Control
3	Mix In	Mixer Input
4	Enable	Chip Enable
5	LO+	Local Oscillator Input +
6	LO-	Local Oscillator Input -

Table 5. Pin Function Description (Continued)

Pin	Symbol	Description
7	IF+	Differential IF Output +
8	IF-	Differential IF Output -
9	V _{CC}	Supply
10	LNA In	LNA Input
11	Gnd	Ground
12	Mix Bias	Mixer Bias Adjustment

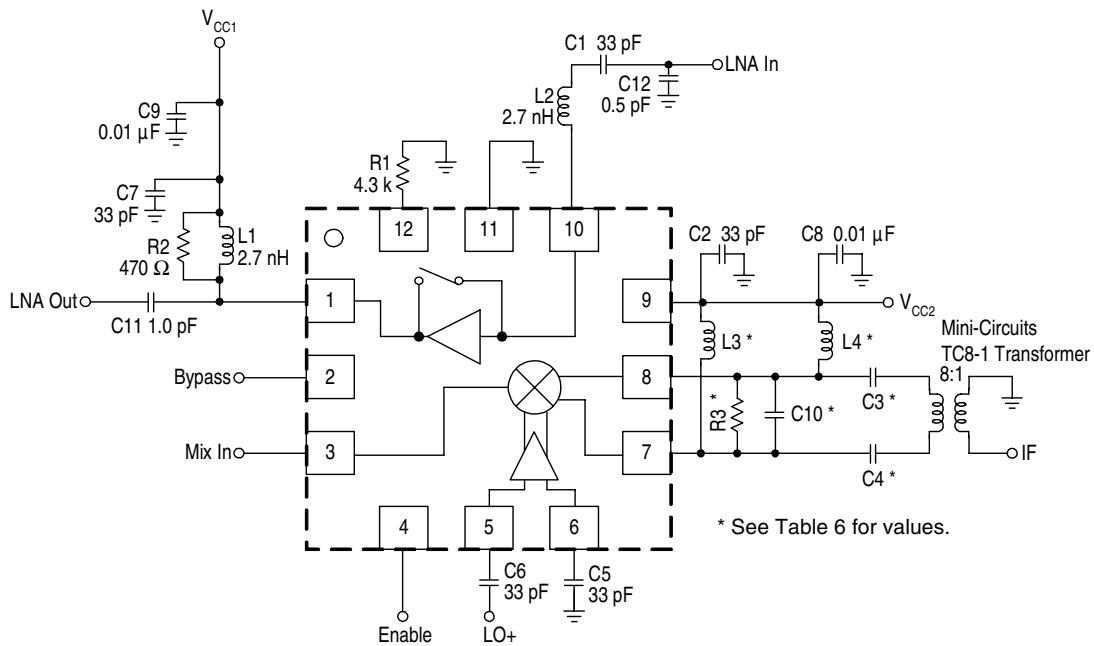


Figure 2. Application Schematic

Table 6. Bill of Material for Application Schematic

Component	190 MHz IF	380 MHz IF
C3	1.2 pF	2.2 pF
C4	1.2 pF	2.2 pF
C10	1.2 pF	1.2 pF
L3	150 nH	39 nH
L4	150 nH	39 nH
R3	5.0 kΩ	20 kΩ

NOTE: All other components are the same for both configurations.

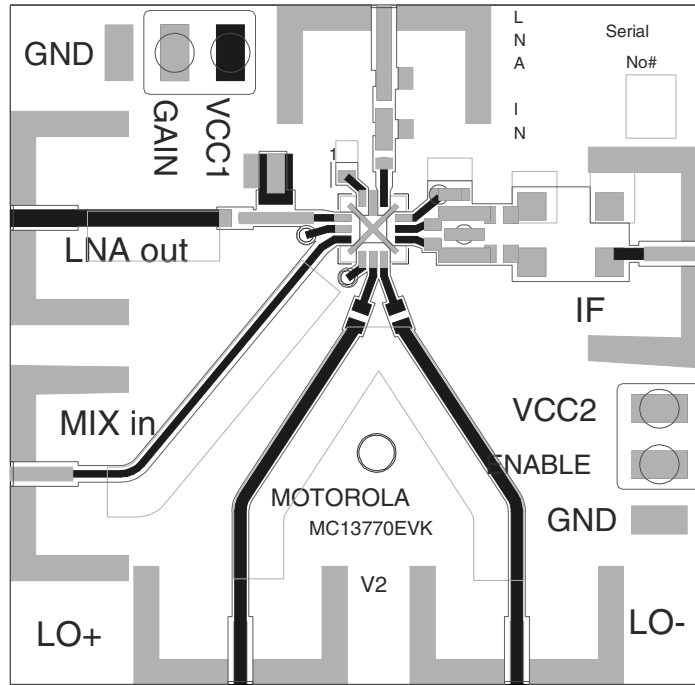
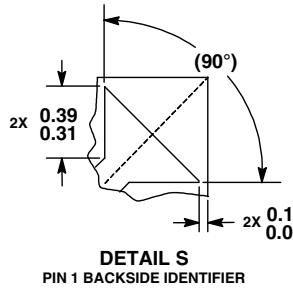
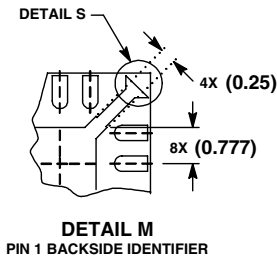
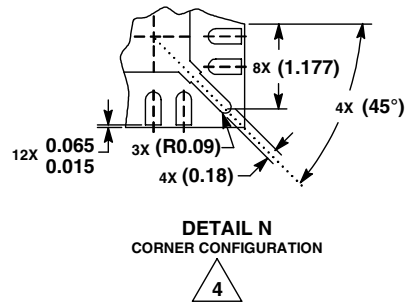
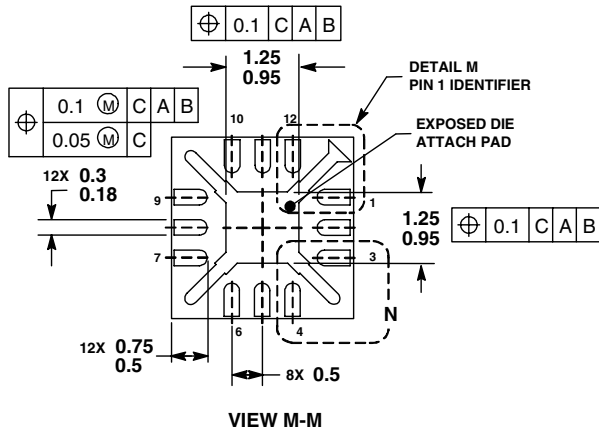
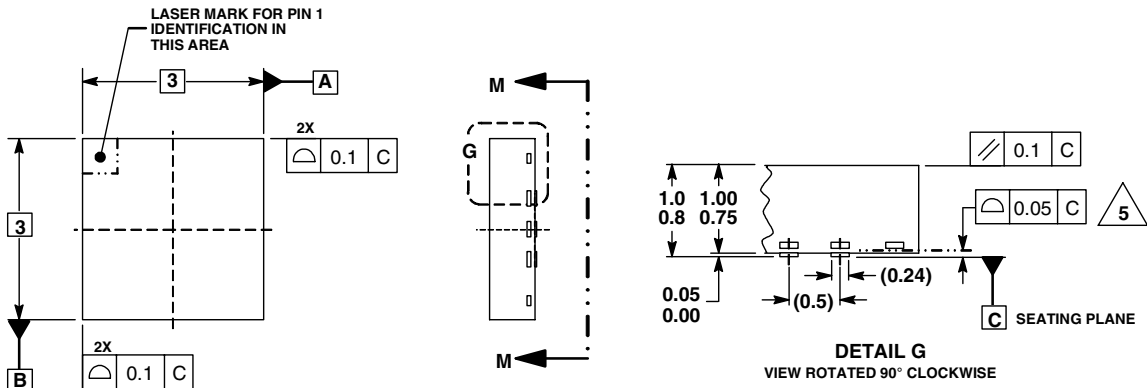


Figure 3. Application PCB (Not to Scale)



- NOTES:
1. DIMENSIONS ARE IN MILLIMETERS.
 2. INTERPRET DIMENSIONS AND TOLERANCES PER ASME Y14.5M, 1994.
 3. THE COMPLETE JEDEC DESIGNATOR FOR THIS PACKAGE IS: HF-PQFP-N.
 4. CORNER CHAMFER MAY NOT BE PRESENT. DIMENSIONS OF OPTIONAL FEATURES ARE FOR REFERENCE ONLY.
 5. COPLANARITY APPLIES TO LEADS, CORNER LEADS, AND DIE ATTACH PAD.

Figure 4. Outline Dimensions for QFN-12 (Case 1345-01, Issue A)

HOW TO REACH US:

USA/EUROPE/LOCATIONS NOT LISTED:

Motorola Literature Distribution;
P.O. Box 5405, Denver, Colorado 80217
1-303-675-2140 or 1-800-441-2447

JAPAN:

Motorola Japan Ltd.; SPS, Technical Information Center,
3-20-1, Minami-Azabu Minato-ku, Tokyo 106-8573 Japan
81-3-3440-3569

ASIA/PACIFIC:

Motorola Semiconductors H.K. Ltd.; Silicon Harbour
Centre, 2 Dai King Street, Tai Po Industrial Estate,
Tai Po, N.T., Hong Kong
852-26668334

TECHNICAL INFORMATION CENTER:

1-800-521-6274

HOME PAGE:

<http://www.motorola.com/semiconductors>

Information in this document is provided solely to enable system and software implementers to use Motorola products. There are no express or implied copyright licenses granted hereunder to design or fabricate any integrated circuits or integrated circuits based on the information in this document.

Motorola reserves the right to make changes without further notice to any products herein. Motorola makes no warranty, representation or guarantee regarding the suitability of its products for any particular purpose, nor does Motorola assume any liability arising out of the application or use of any product or circuit, and specifically disclaims any and all liability, including without limitation consequential or incidental damages. "Typical" parameters which may be provided in Motorola data sheets and/or specifications can and do vary in different applications and actual performance may vary over time. All operating parameters, including "Typicals" must be validated for each customer application by customer's technical experts. Motorola does not convey any license under its patent rights nor the rights of others. Motorola products are not designed, intended, or authorized for use as components in systems intended for surgical implant into the body, or other applications intended to support or sustain life, or for any other application in which the failure of the Motorola product could create a situation where personal injury or death may occur. Should Buyer purchase or use Motorola products for any such unintended or unauthorized application, Buyer shall indemnify and hold Motorola and its officers, employees, subsidiaries, affiliates, and distributors harmless against all claims, costs, damages, and expenses, and reasonable attorney fees arising out of, directly or indirectly, any claim of personal injury or death associated with such unintended or unauthorized use, even if such claim alleges that Motorola was negligent regarding the design or manufacture of the part.



MOTOROLA

Motorola and the Stylized M Logo are registered in the U.S. Patent and Trademark Office. All other product or service names are the property of their respective owners. Motorola, Inc. is an Equal Opportunity/Affirmative Action Employer.

© Motorola, Inc. 2002

MC13770PP/D

**For More Information On This Product,
Go to: www.freescale.com**